

SQL 12 EXTREME

Speaker Specifications

Power	Pe	1300/1950	RMS/Nom
DC resistance	Rdc	1,94	Ω
Nominal impedance	ZN	2	Ω
Resonance frequency	fs	33	HZ
Voice coil diameter		4	inch
Xmax	+ -	15	mm

Mechanical Q factor	Qms	2,52
Electrical Q factor	Qes	0,41
Total Q factor	Qts	0,35

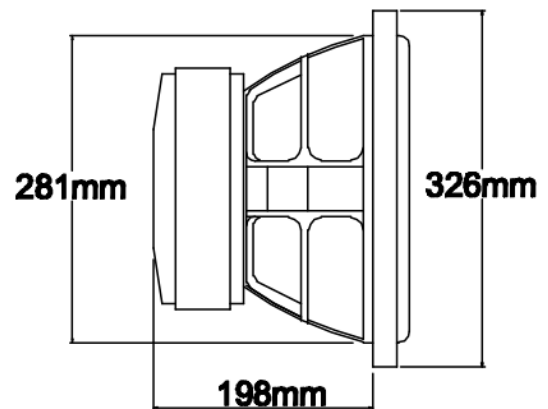
Moving mass	Mms	216,42	g
Effective piston area	Sd	490	cm ²
Mechanical resistance	Rms	19,4	Kg/s
Compliance	Cms	0,11	mm/N
Force factor	BL	14	Tm
Equivalent air volume	Vas	36	dm ³
SPL 2,83V/1m		93	dB

Cone: Paper	Spider: Nomex
Surround: Rubber	Coil former: Aluminium
Basket: Aluminium	Dust cap: PP



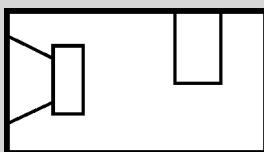
Diameter

External diameter	326 mm / 12,83 inch
Installation diameter	281 mm / 11,06 inch
Installation depth	198 mm / 7,80 inch
Magnet diameter	230 mm / 9,06 inch



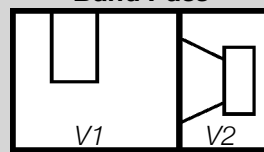
Recommended Boxes (including Ports / Drivers)

Vented Box



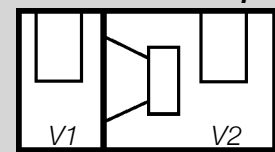
V: 65 l	or V: 65 l
Ft: 44 Hz	Ft: 43 Hz
d: 2 x 100 mm (2 x 3,94 inch)	d: 1 x 100 mm (1 x 3,94 inch)
l: 300 mm (11,81 inch)	l: 150 mm (5,91 inch)

Band Pass



V1: 40 l	V2: 25 l
Fm: 60 Hz	
d: 2 x 100 mm (3,94 inch)	
l: 230 mm (9,06 inch)	

Double Vented Bandpass



V1: 23 l	V2: 53 l
F1: 77 Hz	F2: 40 Hz
d: 2 x 100 mm (2 x 3,94 inch)	d: 1 x 100 mm (1 x 3,94 inch)
l: 260 mm (10,24 inch)	l: 230 mm (9,06 inch)